

PlyFASTner[®] hurricane protection system

PlyFASTner provides a quick method of attaching a plywood protection system to a window/door to protect structures from damage from windborne debris. Preparation is essential and early planning is advised. Review all instructions before beginning the installation process.

Hardware Installation:

FL13531

Instructions for typical wood trim application.

1. Place plywood over window/door ensuring that the sheet completely covers window/door and its frame.
2. On the panel, locate and mark center of 1-inch holes at four points according to the spacing requirements provided. The center of the 1" hole must not be less than 2" to the edge of the panel (Fig. 5). These locations must provide for solid penetration (minimum 2 1/2 inches) by the anchors into the structural framing. (Fig. 2)
3. Drill 1-inch holes at each of four marked locations in plywood sheet.
4. Place plywood back over window/door to locate anchor placement. Be sure to mark location at the center of the holes.
5. Drill a 5/8-inch diameter hole 1 1/4-inch deep with a 5/8-inch flat spade bit. Using the same spade bit, insert the Anchor into the hole until the head is flush (or slightly recessed).
6. Fully insert the removable 2-inch bolts. Bolt head must protrude 1 1/8-inch measured from the underside of the bolt head to the window/door frame using 1/2-inch minimum thickness plywood.
7. Hang plywood panel over bolts. Position PlyFASTners over bolts and slide each of the four PlyFASTners into place (Fig. 3). Adjust the depth of the Anchor with the nut driver and Grade 8 bolt, if needed, so that the system is tight and bolt head is 3/8 of an inch from the top of the slot. (Fig. 7)
8. Remove panel. Remove bolts.
9. Lightly tap hole liners into place. (Fig. 4) Insert plugs with foam seals.

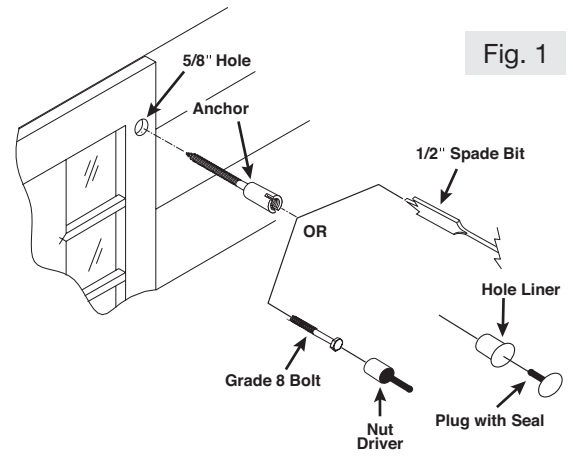


Fig. 1

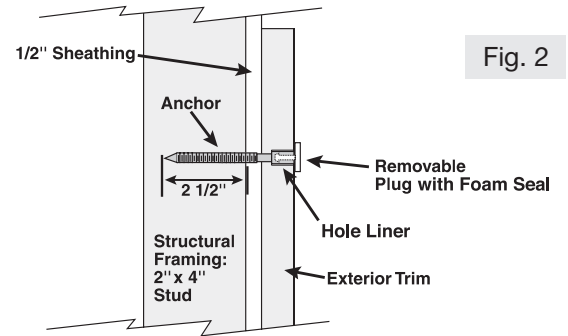


Fig. 2

Permanent Hardware and Plug in Place

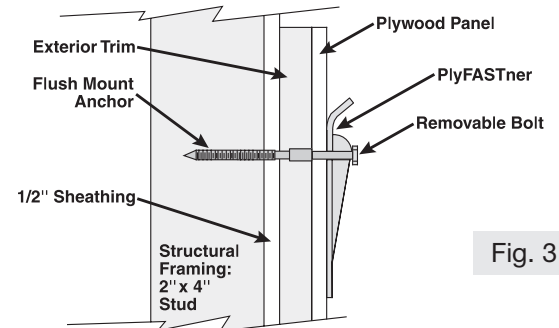


Fig. 3

PlyFASTner[®] and Plywood Panel in Place

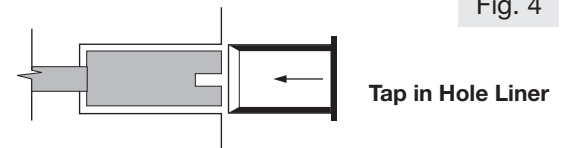


Fig. 4

Tap in Hole Liner

PlyFASTner Spacing Requirements

- A. When the panel span is 48" or less, the anchor spacing cannot exceed 30 inches center to center. The distance from the bottom (or top) of the sheet to the first anchor cannot exceed 20 inches.
- B. When the panel span exceeds 48" in width, the anchor spacing cannot exceed 15 inches center to center. The distance from the bottom (or top) of the sheet to the first anchor cannot exceed 9 inches.

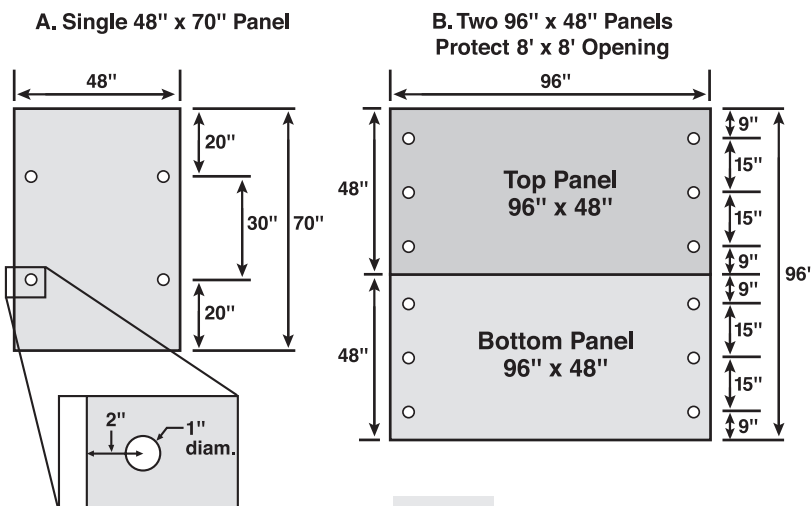


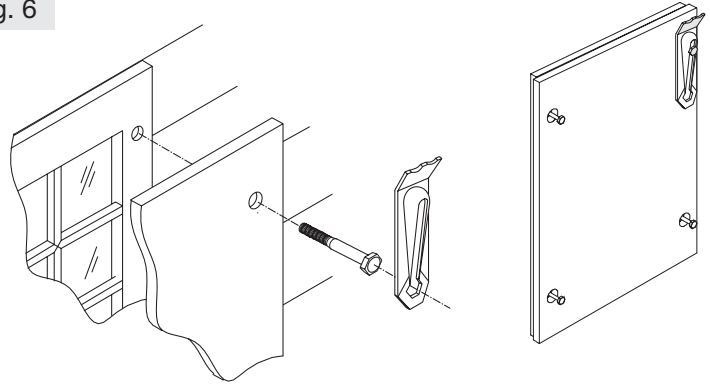
Fig. 5

Panel Installation:

When adverse weather threatens, openings are quickly secured without tools.

- 1 Remove plugs. Insert removable bolts to flush mounted Anchors finger-tight.
- 2 Hang plywood panel over bolts. (Fig. 6)
- 3 Place PlyFASTners on bolts and slide down to wedge tight. Opening is secure.
- 4 When the storm has passed, remove PlyFASTners, plywood and bolts. Replace plugs to hide and seal Anchors.

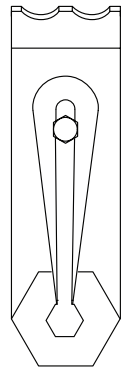
Fig. 6



Additional Suggestions for Installation:

- Various bolt length may be used for different window applications.
- For masonry construction, Flush Anchors must be embedded in epoxy by 3 inches (not recommended anchoring to brick veneer).
- Predetermine dimensions of window/door and have plywood supplier cut to order.
- If you prefer to cut plywood, use carbide or fine tooth circular saw blade for smoother edges with fewer splinters. You may cut several at a time if you have multiple windows/doors with the same dimensions.
- Paint/seal the plywood sheets to ensure that they are properly preserved and will be ready to use year after year.
- Label your various plywood sheets with location of the window/door on your home.
- Store plywood in a dry place out of rain or direct sunlight.

Fig. 7



***PlyFASTner Hurricane Protection System is versatile and can be adapted to fit a variety of building substrates. Contact PlyFASTner Technical Support at 1-866-PLY-FAST for assistance in these applications:**

- Vinyl Siding
- Concrete Block
- Hardi-Trim
- Stucco
- Brick Veneer

www.PlyFASTner.com

ICC-ES Report #2630 FL13531
Meets SSTD 12-99 as per ASTM E 1886- 97
Meets Florida Building Code requirements
Meets International Building Code requirements

 **PlyFASTner**[®]
hurricane protection system

www.PlyFASTner.com • E-mail: info@PlyFASTner.com
Toll-Free Phone: 1-866-759-3278

Disclaimer: PlyFASTner LLC is not responsible for any damage to the customer's home or its contents caused by adverse weather.