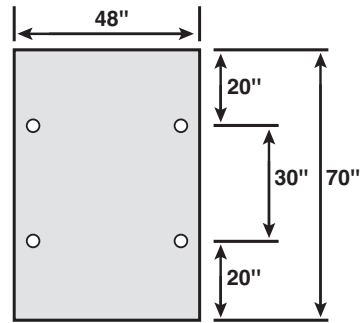


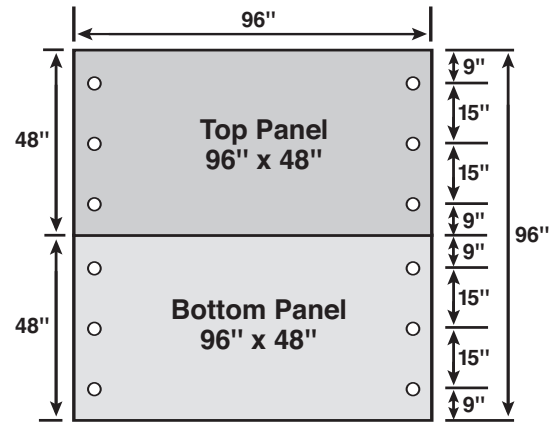
PlyFASTner® Spacing Guide

When the panel span is 48" or less, the Anchors' spacing cannot exceed 30" center to center. The distance from the bottom (or top) of the sheet to the first Anchor cannot exceed 20".



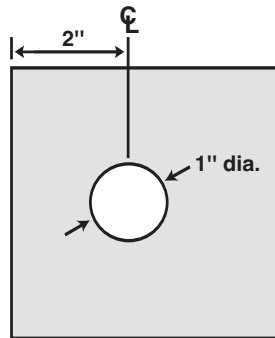
Single 48" x 70" Panel

When the panel span exceeds 48" in width, the Anchors' spacing cannot exceed 15" center to center. The distance from the bottom (or top) of the sheet to the first Anchor cannot exceed 9".



Two 96" x 48" Panels Protect 8' x 8' Opening

Drill a 1" diameter hole thru the plywood. Locate the hole 2" from the edge of the sheet. Keep in mind the Anchor must penetrate the 2x4 stud by 2 1/2".



The stainless steel Anchor must protrude approximately 1 1/8" from the surface that the plywood panel touches to the underside of the Anchor head. This allows for 1/2" plywood and the wedge shape of the PlyFASTner. The Anchor must penetrate the 2x4 stud by 2 1/2".

